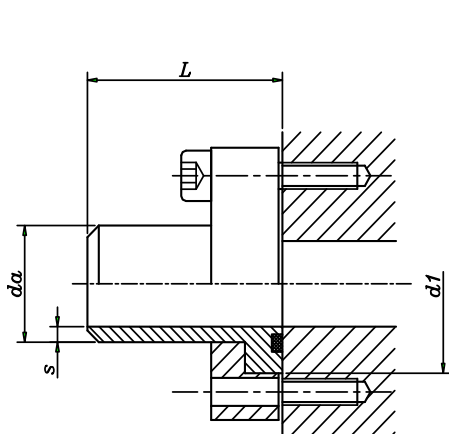
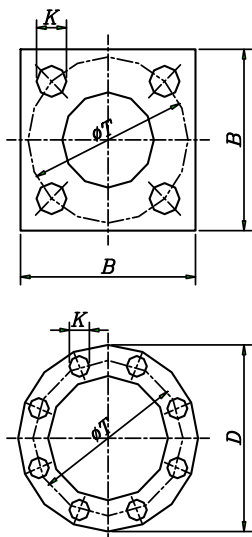


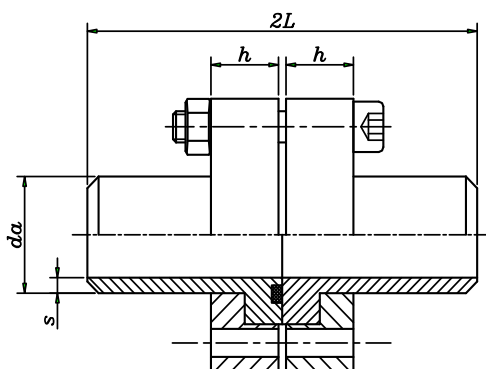
方法兰



FA方法兰



FK方法兰



标准订货:

- 方形法兰1只
- 带O槽焊接接管1只
- O形圈1只
- 12.9级高强度螺栓4只 (带弹垫)

订货示例:

- 碳 钢: FA 50-2
- 不 锈 钢: FA-50-2-SS

标准订货:

- 方形法兰1只
- 焊接接管1对
- O形圈1只
- 12.9级高强度螺栓4只 (带弹垫)

订货示例:

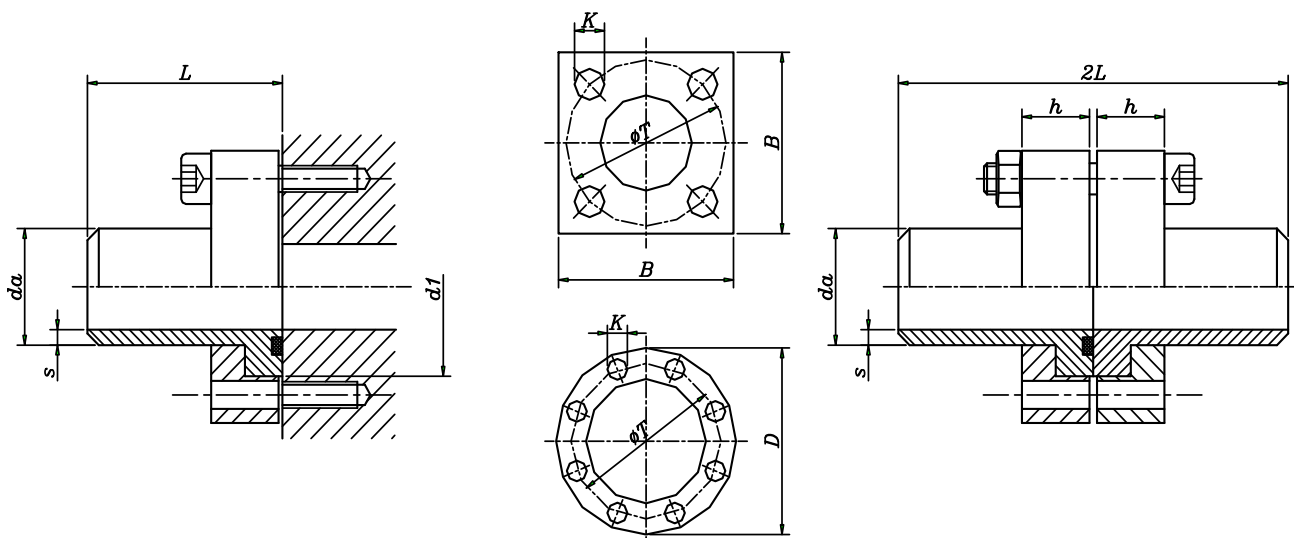
- 碳 钢: FK-50-2
- 不 锈 钢: FK-50-2-SS

daxs为所连接钢管规格, 也可根据用户需求提供

订货标记	尺寸参数 (mm)									
	daxs	B	D	h	T	d1	K	L	O型圈	螺栓
<b>PN160/series 2</b>										
FA/FK-12-2	16X2	50	\	19	44	28	11	40	17.1X2.62	M10X35
FA/FK-16-2	20X2.5	60	\	19	54	38	11	46	18.7X3.53	M10X35
FA/FK-20-2	25X3	60	\	19	54	38	11	46	25.0X3.53	M10X35
FA/FK-25-2	30X4	70	\	19	64	46	13	52	32.9X3.53	M12X35
FA/FK-32-2	38X5	80	\	24	72	55	13	64	32.9X3.53	M12X40
FA/FK-40-2	48.3X5	90	\	29	80	60	17	68	47.2X3.53	M16X50
FA/FK-50-2	60.3X6.3	100	\	38	98	76	17	80	53.3X5.33	M16X60
FA/FK-65-2	76.1X7.1	120	\	47	118	92	22	98	69.2X5.33	M20X70
FA/FK-80-2	101.6X10	180	\	58	175	135	26	135	88.3X5.33	M24X90
FA/FK-100-2	114.3X11	180	\	58	175	135	32	135	104.1X5.33	M30X90
FA/FK-125-2	152.4X16	\	245	69	200	168	26	150	129.5X5.33	M24X100
FA/FK-150-2	177.8X17.5	\	300	79	245	205	32	190	164.4X5.33	M30X110

可按用户要求生产各种标准, 型号, 材质的产品

方法兰



FA方法兰

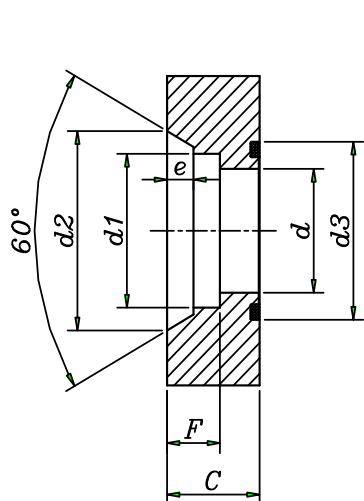
FK方法兰

daxs为所连接钢管规格, 也可根据用户需求提供

订货标记	尺寸参数 (mm)									
	daxs	B	D	h	T	d1	K	L	O型圈	螺栓
<b>PN250/series 3</b>										
FA/FK-10-3	16X2	50	\	19	44	28	11	40	17.1X2.62	M10X35
FA/FK-12-3	20X2.5	60	\	19	54	38	11	46	18.7X3.53	M10X35
FA/FK-16-3	21.3X2.6	60	\	19	54	38	11	46	18.7X3.53	M10X35
FA/FK-20-3	26.9X3.6	70	\	19	64	46	13	52	25.0X3.53	M12X35
FA/FK-25-3	33.7X4.5	80	\	24	72	55	13	64	37.7X3.53	M12X40
FA/FK-32-3	42.4X5.6	90	\	29	80	60	17	68	37.7X3.53	M16X50
FA/FK-40-3	60.3X8	100	\	38	98	76	17	80	53.3X5.33	M16X60
FA/FK-50-3	76.1X10	120	\	47	118	92	22	98	62.9X5.33	M20X70
FA/FK-65-3	88.9X11	150	\	48	145	110	26	135	78.7X5.33	M24X90
FA/FK-80-3	101.6X12.5	180	\	59	175	135	32	135	88.3X5.33	M30X90
FA/FK-100-3	139.7X17.5	\	245	69	200	168	26	150	113.6X5.33	M24X100
FA/FK-125-3	168.3X20	\	300	79	245	205	32	190	148.6X7.0	M30X110
<b>PN320/series 4</b>										
FA/FK-10-4	17.2X3.6	50	\	19	44	28	11	40	18.7X3.53	M10X35
FA/FK-16-4	26.9X4.5	60	\	19	54	38	11	46	25.0X3.53	M10X35
FA/FK-20-4	33.7X5.6	70	\	19	64	46	13	52	32.9X3.53	M12X35
FA/FK-25-4	42.7X7.1	80	\	24	72	55	13	64	32.9X3.53	M12X40
FA/FK-32-4	48.3X8.0	90	\	29	80	60	17	68	40.8X3.53	M16X50
FA/FK-40-4	60.3X10	100	\	38	98	76	17	80	53.3X5.33	M16X60
FA/FK-50-4	76.1X12.5	120	\	47	118	92	22	98	62.9X5.33	M20X70
FA/FK-65-4	88.9X14.2	150	\	48	145	110	26	109	78.7X5.33	M24X75
FA/FK-80-4	114.3X17.5	180	\	59	175	135	32	135	88.3X5.33	M30X90
FA/FK-100-4	152.5X28	\	245	69	200	168	26	150	113.6X5.33	M24X100
FA/FK-125-4	177.8X30	\	300	79	245	205	32	190	148.6X7.0	M30X110

可按用户要求生产各种标准, 型号, 材质的产品

方法兰

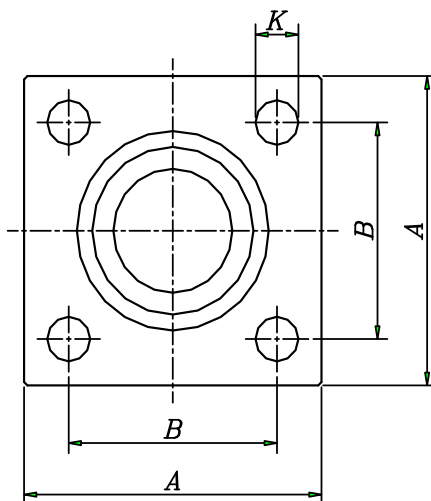


FASA沉插式焊接方法兰

订货示例:

碳钢: FASA-20-21/A

不锈钢: FASA-20-21/A-SS



FAS沉插式焊接方法兰

订货示例:

碳钢: FAS-20-21/A

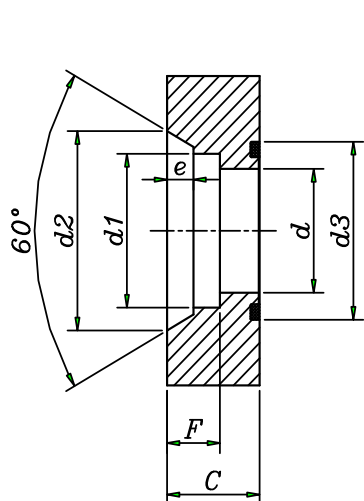
不锈钢: FAS-20-21/A-SS

油压用21MPa方法兰

订货标记	规格尺寸	尺寸参数 (mm)											
		A	B	C	d	d1	d2	d3	e	F	K	O型圈	螺栓
<b>series A</b>													
FASA/FAS-10-21/A	3/8"	54	36	22	11	17.8	28	25	3.5	11	11	18.7X3.55	M10X40
FASA/FAS-15-21/A	1/2"	54	36	22	16	22.2	32	32	3.5	11	11	25.0X3.55	M10X40
FASA/FAS-20-21/A	3/4"	58	40	22	20	27.7	38	35	4.0	12	11	28.2X3.55	M10X40
FASA/FAS-25-21/A	1"	68	48	28	25	34.5	45	39	6.0	14	13	32.9X3.55	M12X50
FASA/FAS-32-21/A	1 1/4"	76	56	28	31.5	43.2	56	44	6.0	16	13	37.7X3.55	M12X50
FASA/FAS-40-21/A	1 1/2"	92	65	36	37.5	49.1	63	54	7.0	18	17	47.2X3.55	M16X60
FASA/FAS-50-21/A	2"	100	73	36	47.5	61.1	75	63	7.0	20	17	56.7X3.55	M16X60
FASA/FAS-65-21/A	2 1/2"	128	92	45	60	77.1	95	76	9.5	22	22	69.4X3.55	M20X75
FASA/FAS-80-21/A	3"	140	103	45	71	90.0	108	92	11.0	25	24	85.3X3.55	M22X75
<b>series B</b>													
FASA/FAS-10-21/B	3/8"	63	40	22	11	17.8	28	25	3.5	11	11	18.7X3.55	M10X40
FASA/FAS-15-21/B	1/2"	63	40	22	16	22.2	32	32	3.5	11	11	25.0X3.55	M10X40
FASA/FAS-20-21/B	3/4"	68	45	22	20	27.7	38	35	4.0	12	11	28.2X3.55	M10X40
FASA/FAS-25-21/B	1"	80	53	28	25	34.5	45	39	6.0	14	13	32.9X3.55	M12X50
FASA/FAS-32-21/B	1 1/4"	90	63	28	31.5	43.2	56	44	6.0	16	13	37.7X3.55	M12X50
FASA/FAS-40-21/B	1 1/2"	100	70	36	37.5	49.1	63	54	7.0	18	17	47.2X3.55	M16X60
FASA/FAS-50-21/B	2"	112	80	36	47.5	61.1	75	63	7.0	20	17	56.7X3.55	M16X60
FASA/FAS-65-21/B	2 1/2"	140	100	45	60	77.1	95	76	9.5	22	22	69.4X3.55	M20X75
FASA/FAS-80-21/B	3"	155	112	45	71	90.0	108	92	11.0	25	24	85.3X3.55	M22X75

可按用户要求生产各种标准, 型号, 材质的产品

方法兰

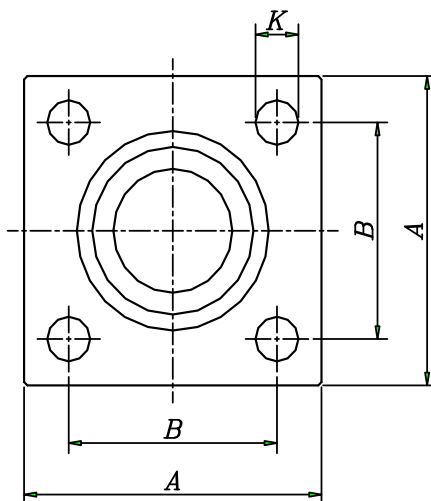


FASA沉插式焊接方法兰

订货示例:

碳 钢: FASA- 25-35

不 锈 钢: FASA-25-35-SS



FAS沉插式焊接方法兰

订货示例:

碳 钢: FAS- 25-35

不 锈 钢: FAS-25-35-SS

油压用28MPa方法兰

订货标记	规格尺寸	尺寸参数 (mm)											
		A	B	C	d	d1	d2	d3	e	F	K	O型圈	螺栓
FASA/FAS-15-28	1/2"	66	43	22	12.3	22.2	34	25	4.0	12	11	18.7X3.55	M10X40
FASA/FAS-20-28	3/4"	72	48	25	16.2	27.7	40	32	4.5	12	11	25.0X3.55	M10X40
FASA/FAS-25-28	1"	85	58	35	21.2	34.5	48	35	5.0	14	13	28.2X3.55	M12X50
FASA/FAS-32-28	1 1/4"	98	68	35	29.9	43.2	60	44	6.5	18	17	37.7X3.55	M16X50
FASA/FAS-40-28	1 1/2"	105	74	40	34.4	49.1	66	54	7.5	20	17	47.2X3.55	M16X60
FASA/FAS-50-28	2"	130	90	50	43.1	61.1	79	63	8.0	20	22	56.7X3.55	M20X75
FASA/FAS-65-28	2 1/2"	150	108	60	57.3	77.1	100	76	10.0	25	24	69.4X3.55	M22X90
FASA/FAS-80-28	3"	170	120	65	66.9	90.0	114	86	12.0	25	26	78.9X3.55	M24X90

油压用35MPa方法兰

订货标记	规格尺寸	尺寸参数 (mm)											
		A	B	C	d	d1	d2	d3	e	F	K	O型圈	螺栓
FASA/FAS-15-35	1/2"	68	45	28	12.3	22.2	38	25	4.0	12	11	18.7X3.55	M10X45
FASA/FAS-20-35	3/4"	82	55	30	16.2	27.7	44	32	5.0	12	13	25.0X3.55	M12X50
FASA/FAS-25-35	1"	95	65	35	21.2	34.5	53	35	5.5	14	17	28.2X3.55	M16X55
FASA/FAS-32-35	1 1/4"	100	70	35	23.3	43.2	63	39	7.0	18	17	32.9X3.55	M16X55
FASA/FAS-40-35	1 1/2"	105	75	42	28.2	49.1	70	44	8.0	20	17	37.7X3.55	M16X65
FASA/FAS-50-35	2"	132	92	50	38.3	61.1	84	54	9.0	25	22	47.2X3.55	M20X75
FASA/FAS-65-35	2 1/2"	160	112	60	48.3	77.1	105	63	12.0	30	26	56.7X3.55	M24X90
FASA/FAS-80-35	3"	190	130	68	58.7	90.0	120	76	13.5	30	32	69.4X3.55	M30X100

可按用户要求生产各种标准, 型号, 材质的产品